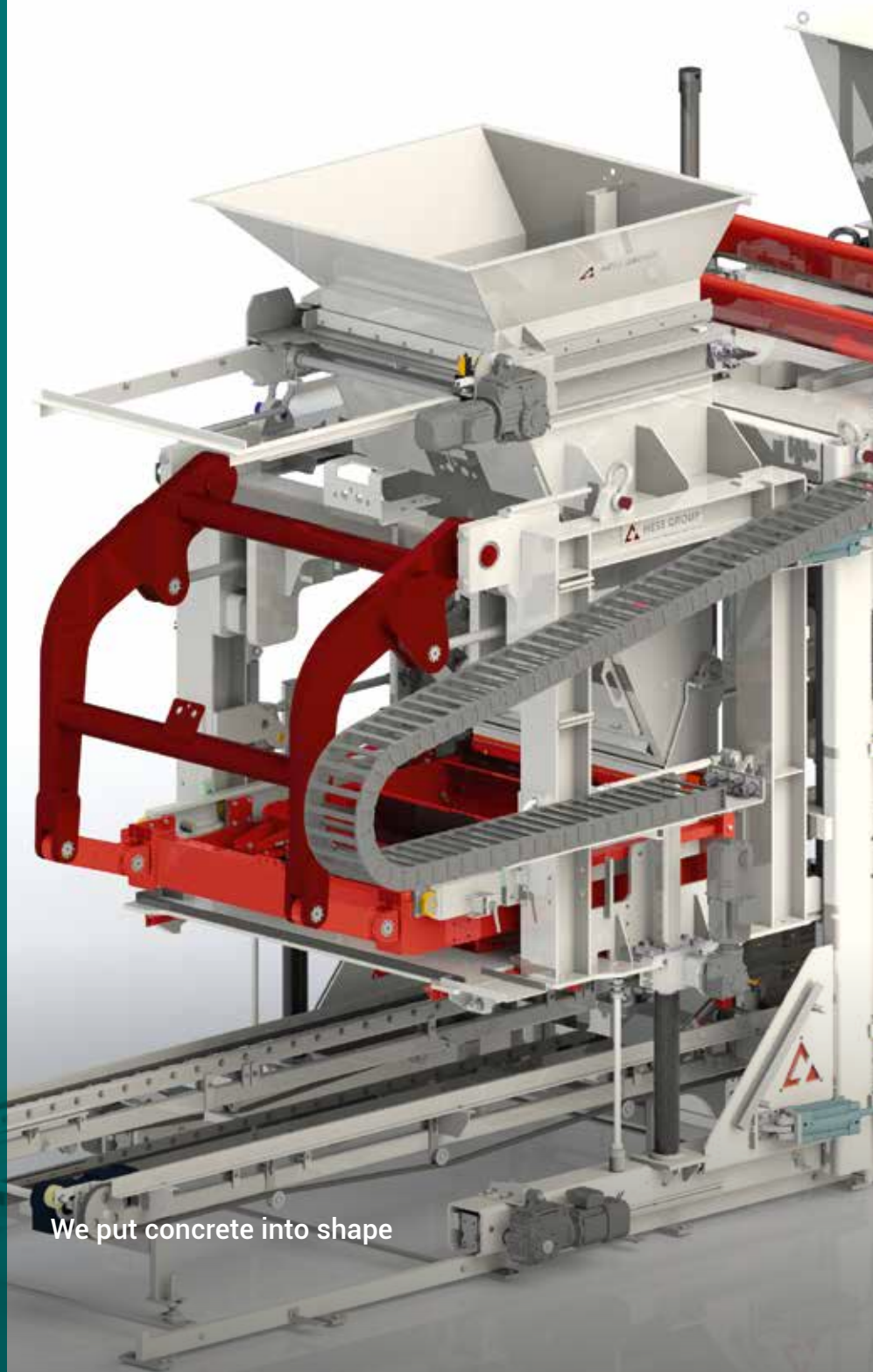




HESS GROUP

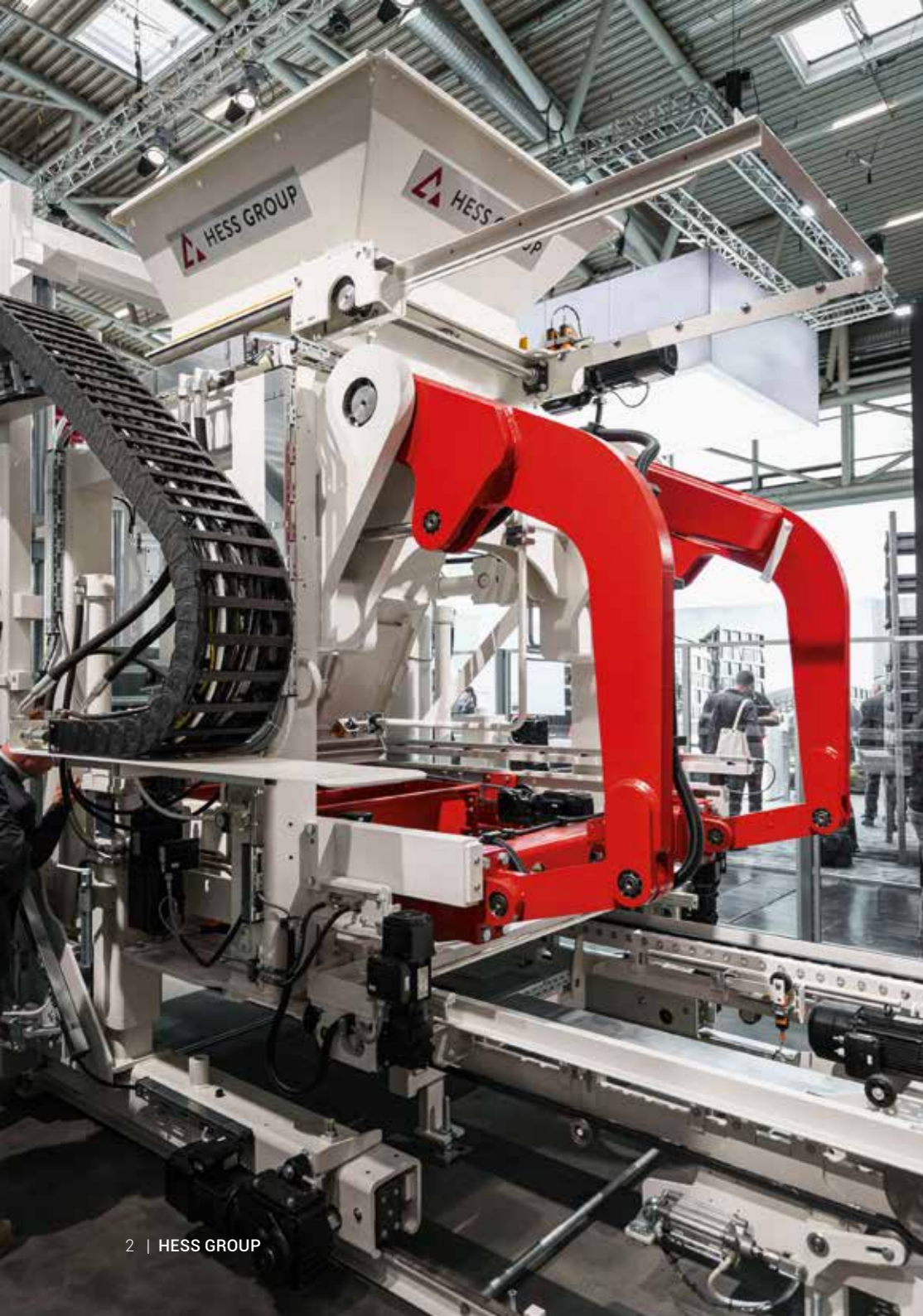


EN

We put concrete into shape

CONCRETE BLOCK AND PAVER MACHINE

RH 1450



OUR COMPANY

WHO IS HESS GROUP?

MIXERS, HANDLING SYSTEMS, CONCRETE BLOCK AND PAVER MACHINES, AND PACKAGING LINES

Our passion is developing technically superior machines for the production, processing, and handling of high-quality concrete products – and we have been doing so since 1948.

As a driver of new sustainable innovations and with a distinctive team spirit in an international environment, we continuously expand HESS GROUP's leading market position.

HESS GROUP WORLDWIDE

As part of the TOPWERK GROUP, HESS GROUP is represented worldwide. With eight international TOPWERK locations and a global network of representatives, HESS GROUP offers optimal service to its customers.



OUR VISION

It is our endeavor to discover and create new market needs in close collaboration with our customers. For this, we develop solutions that make us and our customers innovative pioneers in the concrete block and paver industry.

Product

Each of our products is developed specifically according to our customers' needs. Our concrete block and paver plants are characterized by their durability and reliability and can be upgraded with the latest technology even after years.

Team

Open and honest communication is essential to us. We work together and develop solutions and results as a team and across departmental boundaries.

OUR MISSION

We enable our customers – in collaboration with us – to produce the best concrete blocks and pavers efficiently. The following four factors are paramount:

Customers

Our customers are at the center of our actions. We are a reliable and honest partner who, together with them, shapes the digital future of our industry.

Individual Action

Each of us has high standards for our personal work results. Taking responsibility for one's own actions and seeing mistakes as opportunities for improvement is part of our culture.

OUR VALUES

Quality

For us, quality means combining durability and reliability with the latest technology.

Innovation

Innovation involves transforming the market through technology. By continuously enhancing automation, swiftly responding to market needs, and broadening refinement options, we ensure the long-term viability of our products.

Customer Focus

In partnership with our customers, we fulfill individual requirements. We support them operationally as a knowledgeable and trustworthy partner.



As an innovative manufacturer of high-quality concrete block and paver plants, we – together with our customers – ensure our mutual market leadership.

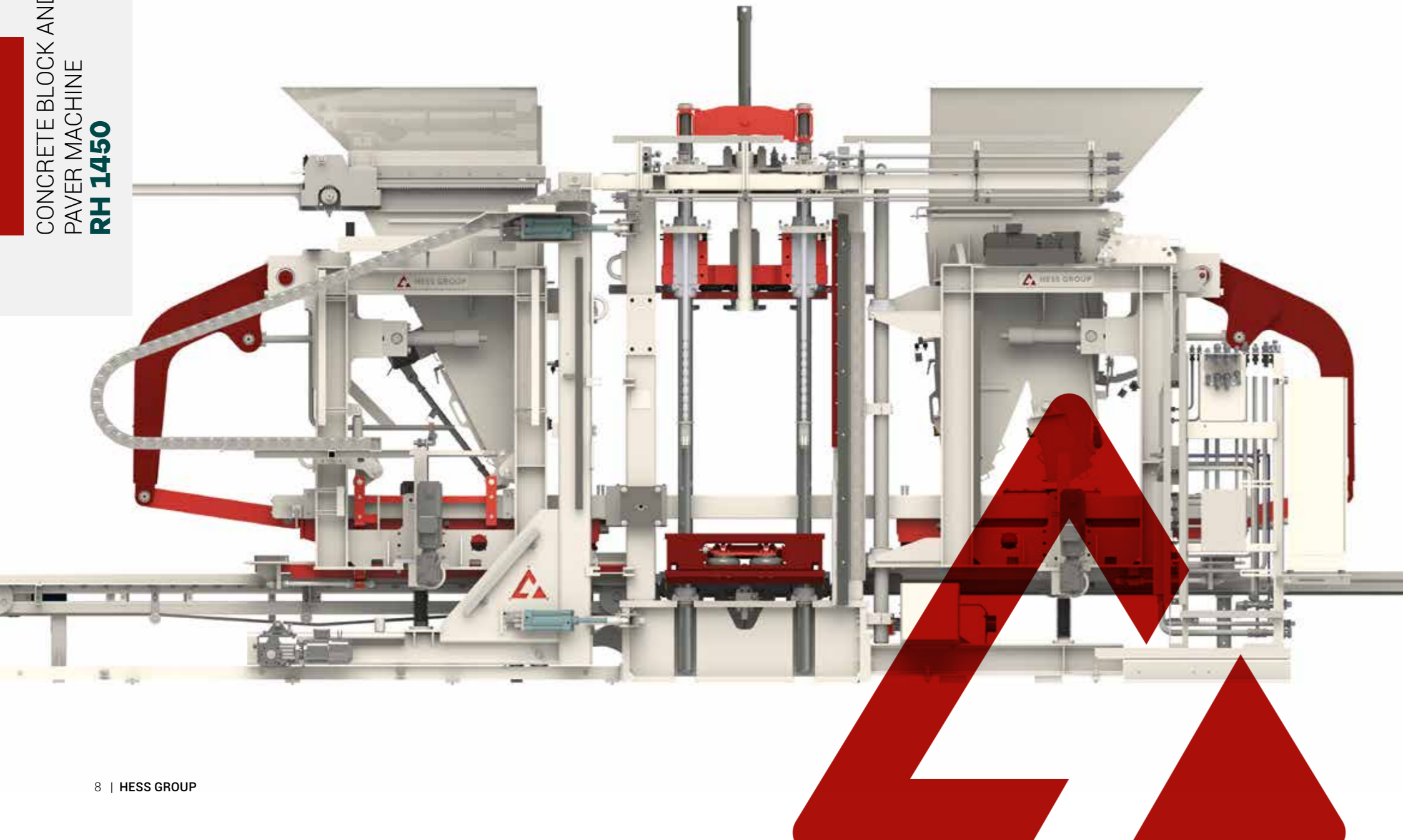




**WE PUT
CONCRETE
INTO SHAPE.**

CONCRETE BLOCK AND PAVER MACHINE

RH 1450



RH 1450 VA

RESOURCE- SAVING SOLUTION WITH MAXIMUM PERFORMANCE

The RH 1450 stands out due to its cost efficiency, which is achieved through better material utilization and enhanced performance. This efficiency allows for reduced investment costs while still retaining the benefits of a large board plant, particularly when paired with an appropriate handling system.

RH 1450 TECHNICAL DATA*

Production board [mm]**	1,400 x 1,100	
Production area [mm]**	1,300 x 1,050	
Min. product height [mm]	40	
Max. product height [mm]	500	
Machine weight in VA version [kg]	38,000	
Paving stone 10 x 20 x 5 cm without face mix	Cycle time [s]	12.5
	m ² in 8h	2,114
	Quantity of stones/mold	54
Paving stone 10 x 20 x 6 cm with face mix	Cycle time [s]	14.5
	m ² in 8h	1,823
	Quantity of stones/mold	54
Hollow block 20 x 40 x 20 cm	Cycle time [s]	16.5
	Quantity in 8h	17,800
	Quantity of stones/mold	12

* Production output is calculated based on 85 percent machine availability and is significantly influenced by machine settings, the concrete mixing recipe used, the quality of raw materials, the performance of other related plant equipment, mold characteristics, the stone format, and the production pallets used.
 Technical Data are subject to change.
 ** Other production board sizes available.

RH 1450

Production board depth minimum [mm]	950
Production board depth maximum [mm]	1.150
Production board width minimum [mm]	1.200
Production board width maximum [mm]	1.400
Production height minimum [mm]	40
Production height maximum [mm]	500
Production board with legs; width 1,450 mm; max. leg height [mm]	210
1 table VARIO frequency	●
1 table VARIO TRONIC	○
WIDIA wear strips for vibrating table	○
Standard hydraulic, Bosch-Rexroth (2 tamper head cylinder)	●
Hydraulic mold flaps	○
Agitator with round bars and driven by an hydraulic cylinder	●
Agitator with triangle bars and driven by an hydraulic cylinder	○
Stone height stops (4 rods)	○
Stone height stops with drawplate compensation	○
Tamper head locking, hydraulic (existing molds)	○
Tamper head locking, pneumatic	●
Tamper head vibration	○
Tamper head adaptor	○
Electrical connection tamper head heating system	○
Tamper head cross cleaner	○
Tamper head cross cleaner curved curb stones	○
Pneumatic filling compensation tamper head	○
Mold clamping, pneumatic	●
Height adjustable mold tray	○
Height adjustable mold tray with pneumatic pusher	○
Monitoring mold in base position	●
Mold change system manual (set of drawings)	○
Mold change system manual provided by Hess	○
Mold change cart electric, face mix side	●
Swivel crane for mold change	○

Base mix hopper two outlet flaps	○
Table plate base mix height adjustment with manual winch	●
Table plate base mix height adjustment with electrical gear box	○
Wear lining base mix hopper; PA/ Hardox	○
Pneumatic tapper base mix hopper	○
Colormix device with draw plate, base mix	○
Pneumatic scraper base mix filler box	○
Table plate lining base mix (build-up welding)	○
Base mix siloflap with adjustable filling plates, 1 outlet	○
Face mix unit	○
Face mix unit height adjustment with manual winch	●
Face mix unit height adjustment with screw jack gearbox	○
Pneumatic clamping of face mix unit frame	○
Face mix unit electrically movable	○
Wear lining face mix hopper; PA/ Hardox	○
Pneumatic tapper face mix hopper	○
Colormix device with draw plate, face mix	○
Special design face mix filler box	○
Planing roller (including scrapers at base and face fillerbox!)	○
Rotating brush on face mix fillerbox (tamper head cleaning)	○
Pneumatic scraper face mix filler box	○
Table plate lining face mix (build-up welding)	○
Face mix siloflap with adjustable filling plates	○
Polysterene insert device	○
Central grease lubrication system	○
Oil cooling tower	○
Draw plate device mounted on the pallet transport	○
Draw plate device, hydraulic	○
Core puller, hydraulic	○
Mobile panel machine	○

Standard equipment ● selectable as an option ○

HESS

FILLER BOX PLANING ROLLER

PERFECTED MANUFACTURING
OF FINE CONCRETE SURFACES



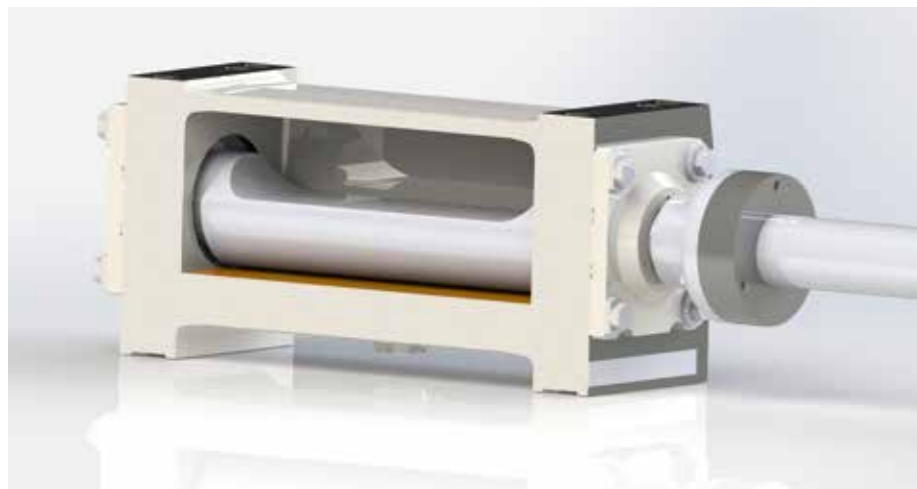
- Patented manufacturing system to ensure a homogeneous layer thickness of the facing concrete over the entire manufacturing surface
- The frame at the front of the filler box is replaced by a hard-chromed planing roller
- Both filler boxes (base and facing concrete) are equipped with pneumatic scrapers at the front

ADVANTAGES

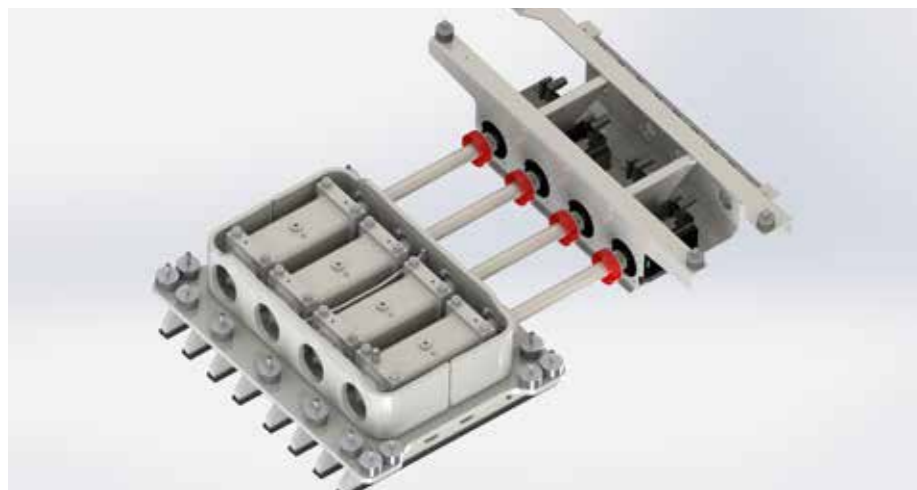
- ▶ The „digging out“ of concrete from the mold during the reverse movement of the filler box is avoided. The layer thickness of the face mix is uniform across the entire product layer.
- ▶ Particularly suitable for large concrete slabs.
- ▶ Cycle time improvement by eliminating the reversing during the face mix filling
- ▶ Significantly closed product surface
- ▶ Better bond between base and face concrete
- ▶ A higher moisture content in the face concrete can be realized. This improves the color intensity of the product.
- ▶ For Colormix products, a more natural-looking surface appearance of the color gradient is achieved (no streaking).



See video
for explanation



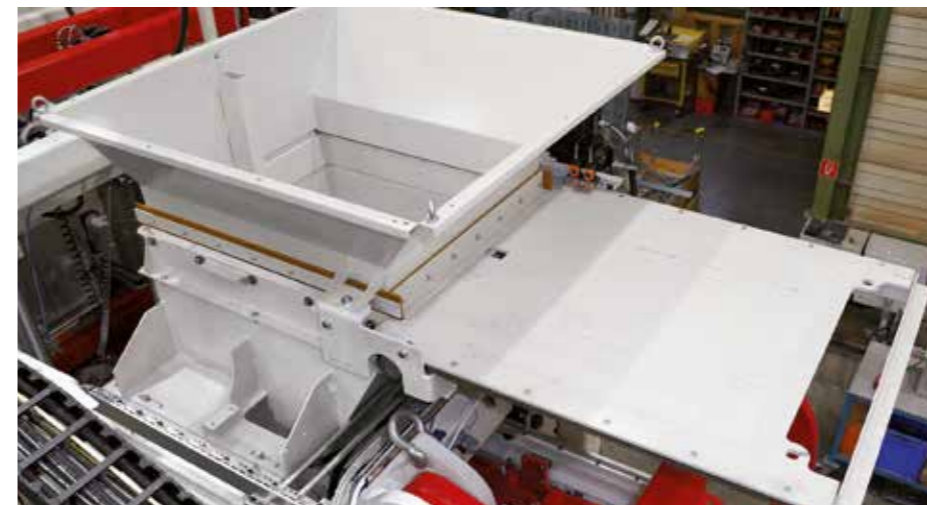
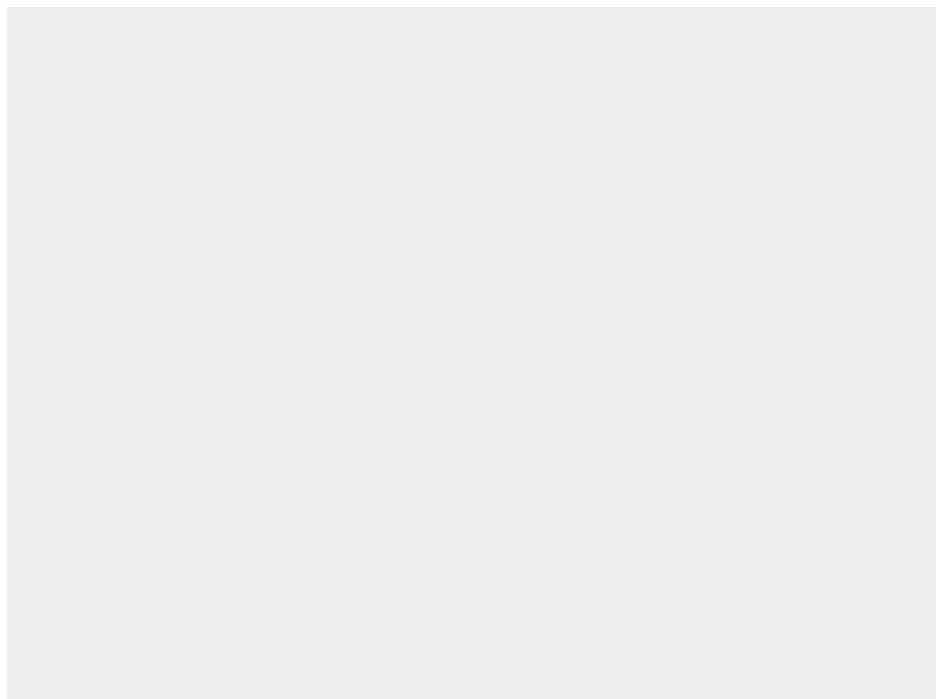
Model oil bath vibrator



VarioTronic vibrating table, view from below

HESS
**VARIOTRONIC
 WITH OIL BATH VIBRATORS**

FULLY ELECTRIC CONTROL



Colormix device with draw plate



Colormix device with two layers of colored concrete

HESS
COLORMIX DRAW PLATE

MANUFACTURING MULTICOLORED CONCRETE PRODUCTS

- Cost-efficient way to manufacture multicolored concrete products.
- Can be used on both face and base concrete hoppers.
- Adjustable parameters at the control panel



HESS

CONTROL

PILOTING ALL MACHINE FUNCTIONS

Concrete block and paver machines and systems are equipped with a control panel. With a large touch panel and four joystick controllers, you have full control over all machine functions of the interlinked system.

The intuitive user interface with icons simplifies operation. Complicated inputs are eliminated as the intelligent software automatically adjusts many parameters. Settings can be made quickly with a few operations – user-friendly and self-explanatory.

FEATURES OF THE HESS CONTROL

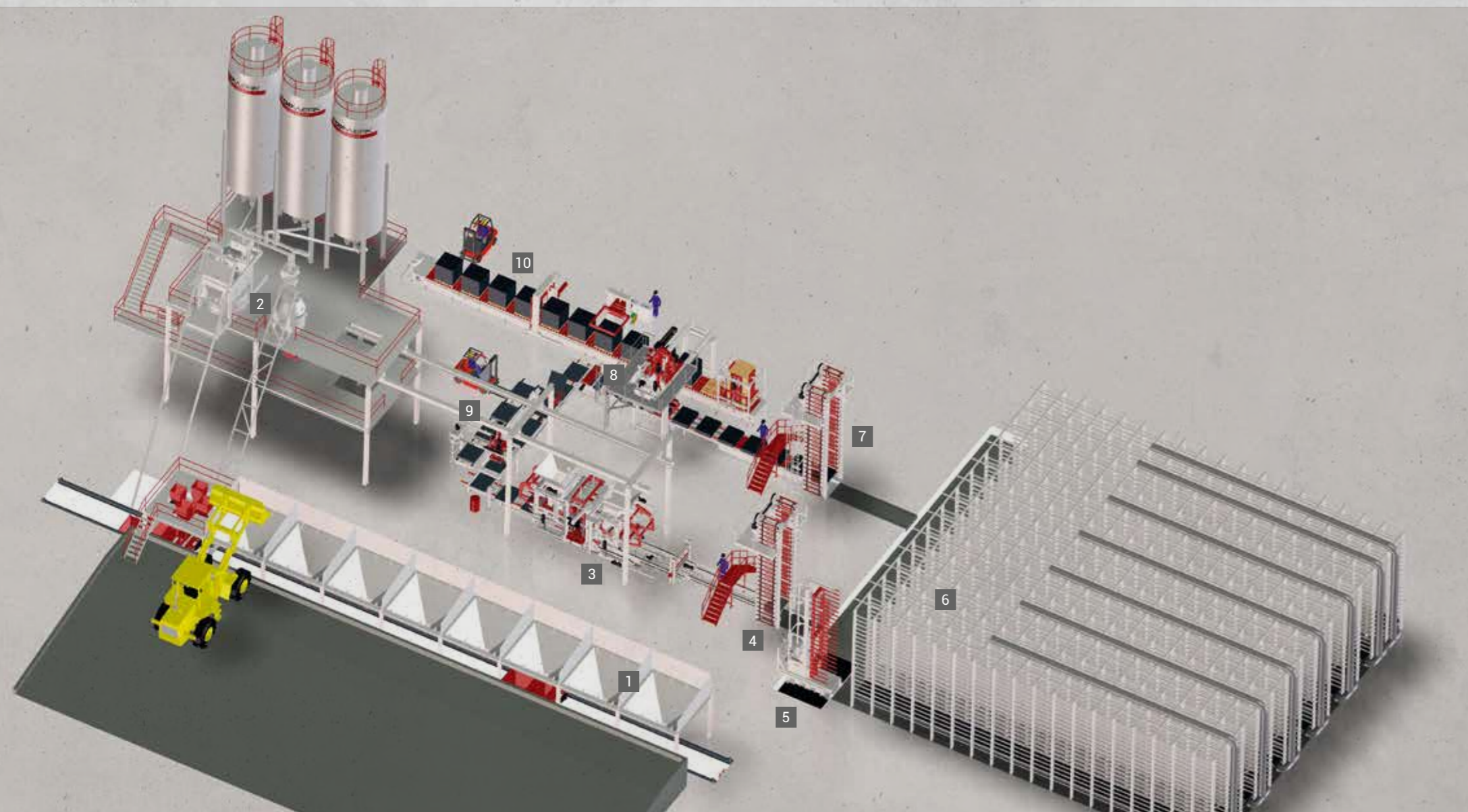
- Master recipe
- Comparable recipe
- Version management recipe management
- Login using an RFID pen at the control panel

TECHNICAL OVERVIEW CONCRETE BLOCK AND PAVER MACHINES*

		RH 500	RH 600	RH 1450	RH 1500 VA	RH 2000 M version – standard production area	RH 2000 M version – large production area
Production board [mm]**		1,200 x 670	1,400 x 700	1,400 x 1,100	1,400 x 1,100	1,400 x 1,100	1,400 x 1,300
Production area [mm]**		1,100 x 620	–	1,300 x 1,050	1,300 x 1,050	1,300 x 1,050	1,300 x 1,250
Min. product height [mm]		25	25	40	25	25	25
Max. product height [mm]		300	300	500	500	500	500
Machine weight in VA version [kg]		7,700	14,000	38,000	46,000	46,000	48,000
Paving stone 10 x 20 x 5 cm without face mix	Cycle time [s]	17	14	12.5	10.5	10	10
	m ² in 8h	863	1,258	2,114	2,517	2,644	3,230
	Quantity of stones/mold	30	36	54	54	54	66
Paving stone 10 x 20 x 6 cm with face mix	Cycle time [s]	22	18	14.5	12.5	11.5	11.5
	m ² in 8h	667	979	1,823	2,114	2,299	2,809
	Quantity of stones/mold	30	36	54	54	54	66
Hollow block 20 x 40 x 20 cm	Cycle time [s]	20	16	16.5	14.5	13.5	13.5
	Quantity in 8h	6,120	13,770	17,800	20,258	21,760	32,640
	Quantity of stones/mold	5	9	12	12	12	18

* Production output is calculated based on 85 percent machine availability and is significantly influenced by machine settings, the concrete mixing recipe used, the quality of raw materials, the performance of other related plant equipment, mold characteristics, the stone format, and the production pallets used. Technical Data are subject to change.

** Different production board sizes available.



RH 1450 VA

- 1 Aggregate silos
- 2 Mixing plant
- 3 Block and paver machine RH 1450 VA
- 4 Elevator
- 5 Finger car
- 6 Curing racks
- 7 Lowerator
- 8 Cuber Servo 700-2
- 9 Production board displacer with buffer conveyor
- 10 Frame conveyor with I frames

HESS

COMPLETE SYSTEMS

CUSTOMIZED
MARKET-ORIENTED
OPTIMIZED FOR THE CUSTOMER

HESS develops, together with the customers, system concepts that are tailored to the respective requirements.



**WE PUT
CONCRETE
INTO SHAPE.**

SPECIAL SYSTEMS

**BATCHING AND
MIXING PLANTS,
CONVEYING AND
HANDLING SYSTEMS**



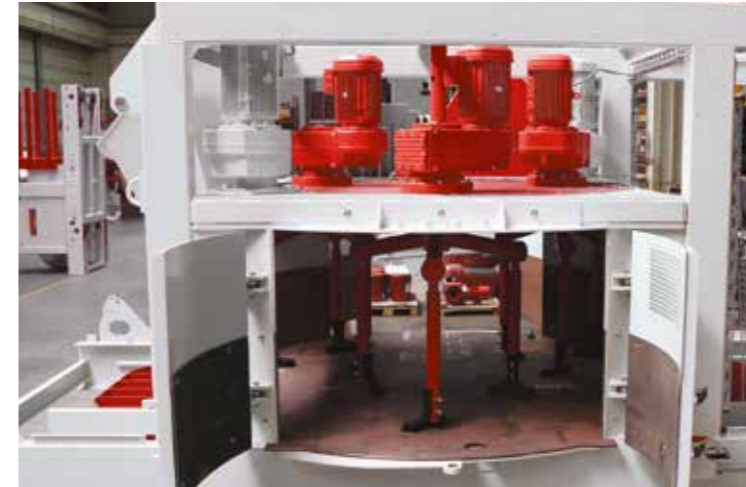
HESS

BATCHING AND MIXING PLANTS

For the production of high-quality concrete products (interlocking paving stones and slabs, curbstones, hollow blocks and segmental retaining walls, pipes and man-holes as well as various precast elements), we offer the necessary mixing plants including all batching devices for aggregates, cement, and Color-Mix concrete.



Interior view of mixer with raw materials



Interior view of base mix mixer



Color-Mix shuttle belt system



Face concrete mixer SM 500

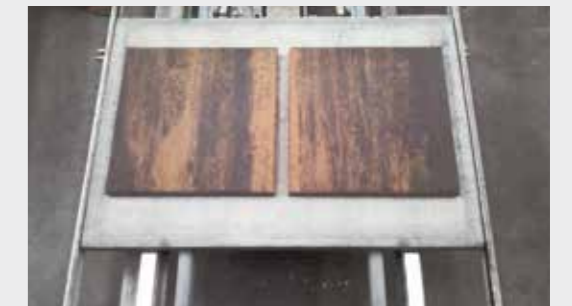
TECHNICAL OVERVIEW OF BATCHING AND MIXING PLANTS*

	SM 500	SM 1500	SM 2250	SM 3375	SM 4500
Dry filling [l]	500	1,500	2,250	3,375	4,500
Max. filling weight [kg]	800	2,400	3,600	5,400	7,200
Compacted concrete output per batch [m³]	0.333	1	1.5	2.25	3
Main drive [kW]	15	22	30	2 x 22	3 x 22
Number of star drives and agitator [pcs]	1+1	2	2	3	3
Drive skip hoist [kW]	7.5	18.5	18.5	22	30

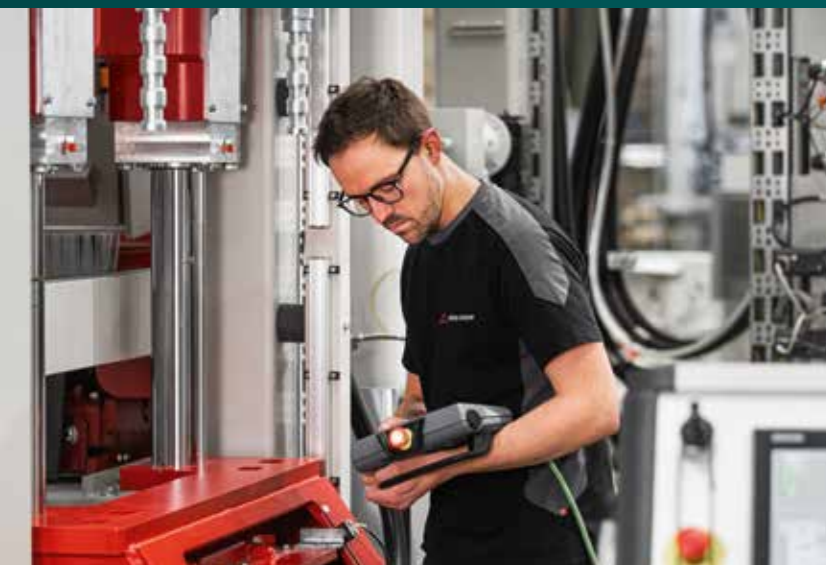
* Technical Data are subject to change.

FEATURES OF PLANETARY MIXER SERIES SM

- Self-supporting construction with lower and upper frame
- Separate drive system (for tool mounting plate and mixing stars)
- Stopping and starting the fully loaded mixer at any time possible
- Two large opposite doors for unobstructed cleaning and maintenance
- Two large discharge openings in the floor
- Significantly less concrete residue and cleaning effort due to special water supply
- Optionally, for cement feeding to the mixer an auger is available (almost dust-free cement feeding)
- Because of its high mixing intensity, this method is particularly suitable for producing concrete with a low water-cement ratio.



Color-Mix Product



AFTER SALES SERVICE SERVICE PORTFOLIO

Our team will support you in all your needs and commit to first-class service to fulfill your requirements. Benefit from our many years of experience and find the right solution with us. Our services ensure for optimum plant uptime:

- Retrofit** Customized solutions for conversions and upgrades
- Parts** High-quality spare parts, intuitive cloud-based catalog, AI parts identification
- Concrete Technology** Optimize the production and quality of your concrete products
- Service on site** Fast, competent on-site service, minimal downtime
- Hotline** Support hotline for technical issues
- Consulting** Individual solutions, professional advice, experienced team of experts



SmartParts
More efficient spare parts procurement through intuitive and interactive identification and ordering



SmartCheck
Improved availability and effectiveness of your plant through HESS plant inspection



SmartCloud
360° overview of the HESS plant and processes



SmartAcademy
More effective plant operation & maintenance through training your employees



SmartVision
Faster troubleshooting and reduced downtime through live video transmission and support from HESS engineers



BE PART OF OUR EVOLUTION...

SmartFamily gives you a 360° view of your HESS concrete block and paver plant.

This solution includes services and functions in the areas of training, spare parts, inspection, maintenance employing a dynamic maintenance calendar, remote support, and monitoring of your entire HESS plant.

The central feature of SmartFamily is the SmartCloud.



Learn more about our After Sales



HESS Group GmbH

Freier-Grund-Strasse 123
57299 Burbach-Wahlbach, Germany

Phone: +49 2736 4976 0
E-mail: info@hessgroup.com
www.hessgroup.com

We put concrete into shape