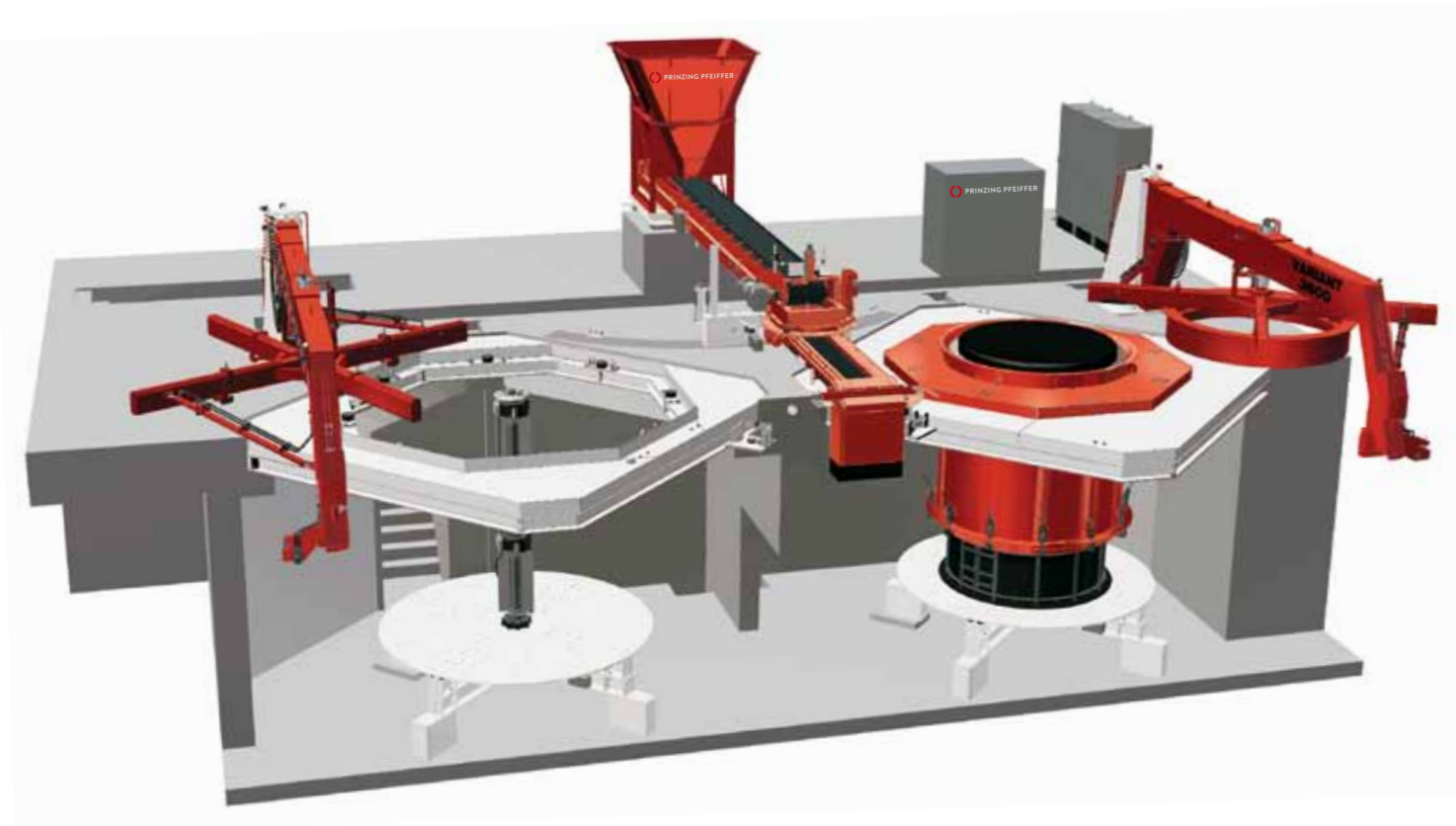


VARIANT

Production plant for large sized pipes and box culverts



VARIANT production is a high level efficient process for a combination of products that need to be produced in large numbers to meet market demand. The **VARIANT** can be configured with a single station or two for a greater output rate with the flexibility to produce concrete pipe and manhole side by side.

The incorporated vibration and compaction technology is a developed design that is sufficiently powerful enough for large products. The **VARIANT** utilizes a pit installed vibrator unit which reduces noise levels. The easy operated system supports quick mould exchange by hydraulic core clamping with up to five locations.

This manufacturing process improves your production capabilities for large concrete products having high strength and exact specifications.

PRODUCT CAPABILITIES

- Concrete Pipes
- Box Culverts
- Jacking Pipes
- Pipes with PVC or HDPE Lining
- Oval and Arch Pipes

Capacity data

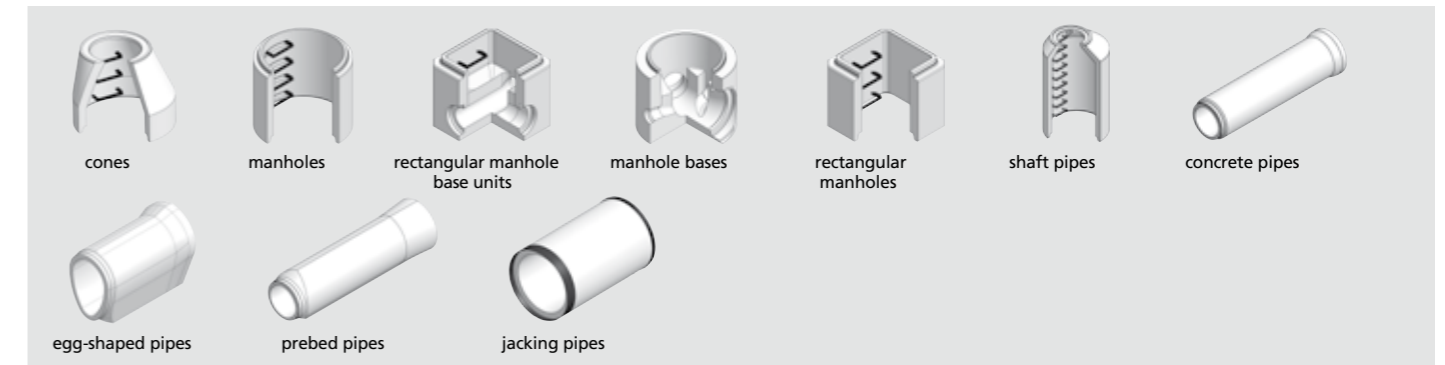
Product dimensions
 max. outer Ø 6.000 mm
 min. inner Ø 250 mm

Lengths
 250 – 5000 mm

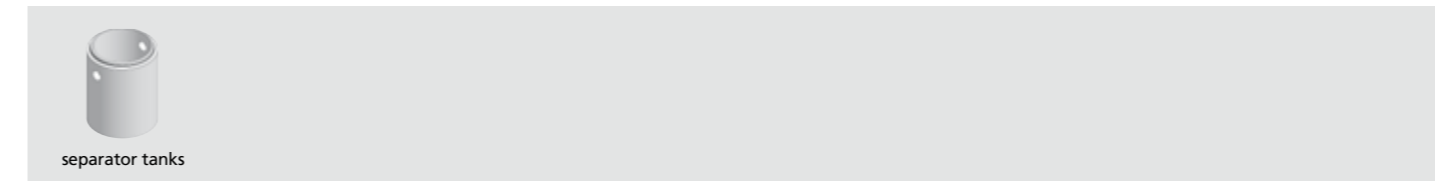
Product weight max.
 30 t

Cycle times:
 3 – 25 min

The **VARIANT** is very well suited for the production of
 Products for sewerage



Products for sewage water treatment and rainwater utilization



Products for drainage

